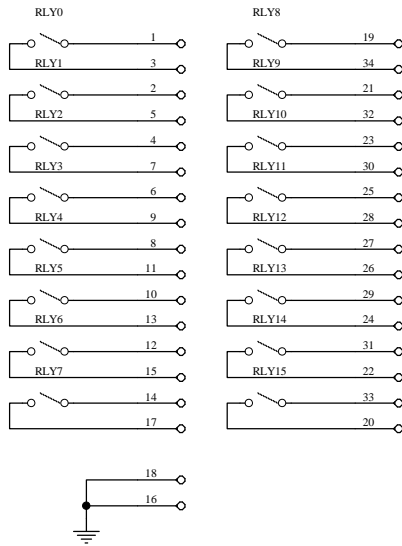
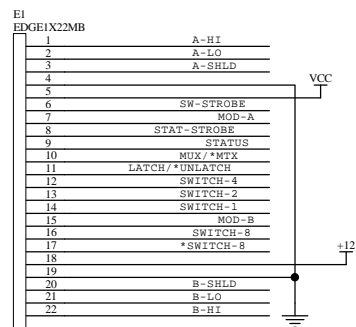


YTEC CORP.

APPROVED BY	DRAWING NUMBER	DRAWN BY: RHB
DATE: 12-May-2004	4-004-2/1	REVISION:
9-JUL-91 SIZE: B	TITLE: JX16/KI SWITCH MODULE	
4-004-2-01.SCH	SHEET 1 OF 2	



YTEC CORP.		
APPROVED BY	DRAWING NUMBER	DRAWN BY: RHB
DATE: 12-May-2004	4-004-2/2	REVISION:
SIZE: B	TITLE: JX16/K1 SWITCH MODULE	
4-004-2-02.SCH	SHEET 2 OF 2	