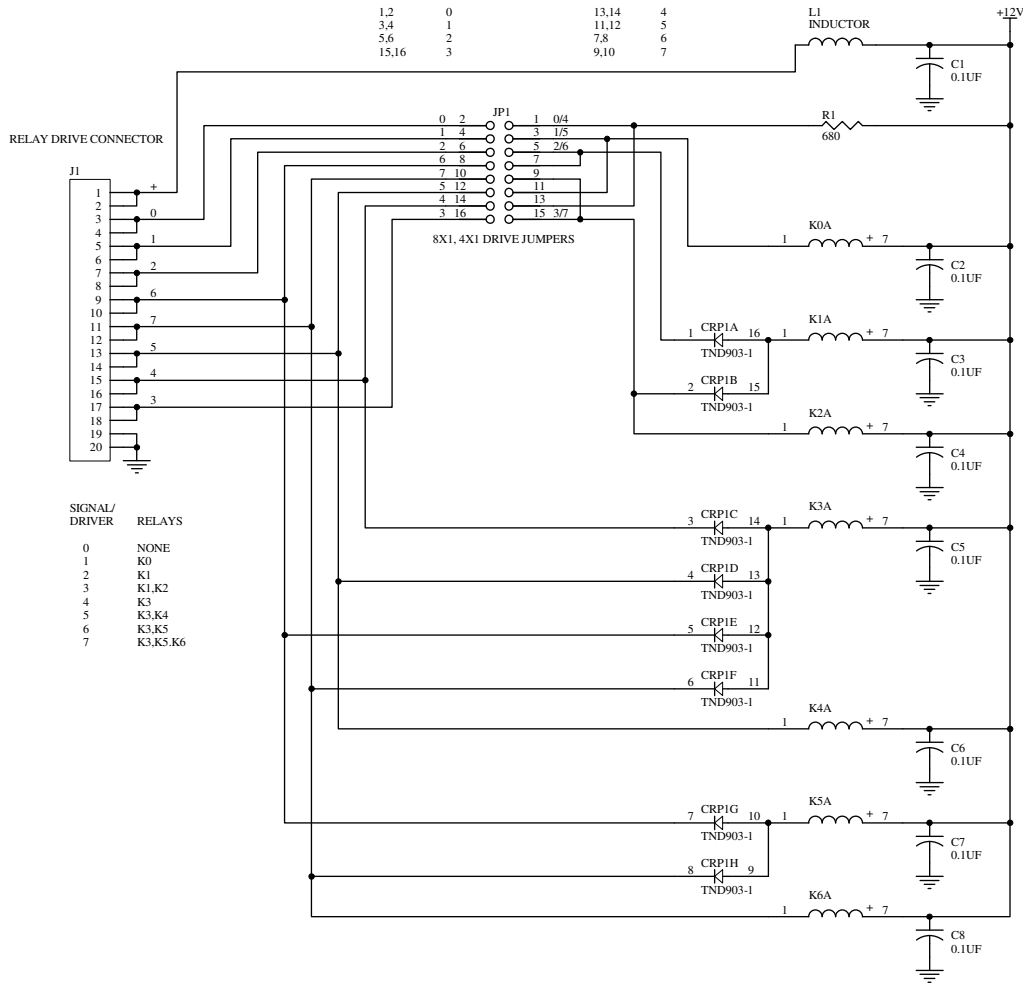


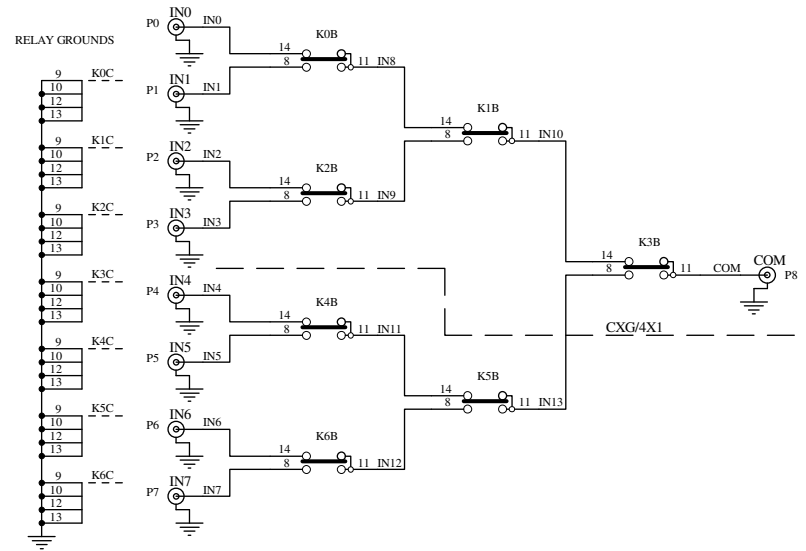
DRIVE JUMPER KEY

8x1 & 4x1 Using Drives 0-3

| JUMPER PINS | DRIVE | JUMPER PINS | DRIVE |
|-------------|-------|-------------|-------|
| 1,2 | 0 | 13,14 | 4 |
| 3,4 | 1 | 11,12 | 5 |
| 5,6 | 2 | 7,8 | 6 |
| 15,16 | 3 | 9,10 | 7 |



| SIGNAL/DRIVER | RELAYS |
|---------------|----------|
| 0 | NONE |
| 1 | K0 |
| 2 | K1 |
| 3 | K1,K2 |
| 4 | K3 |
| 5 | K3,K4 |
| 6 | K3,K5 |
| 7 | K3,K5,K6 |



REVISED FROM:

YTEC CORP.

| | | |
|-------------------|-------------------------------------|---------------|
| APPROVED BY | DRAWING NUMBER | DRAWN BY: KJA |
| DATE: 16-Jan-2017 | 30-38-50 | REVISION: |
| SIZE: B | TITLE: CXG/8X1-G-75-F SWITCH MODULE | |
| 30-38-50.sch | SHEET 1 OF 1 | |