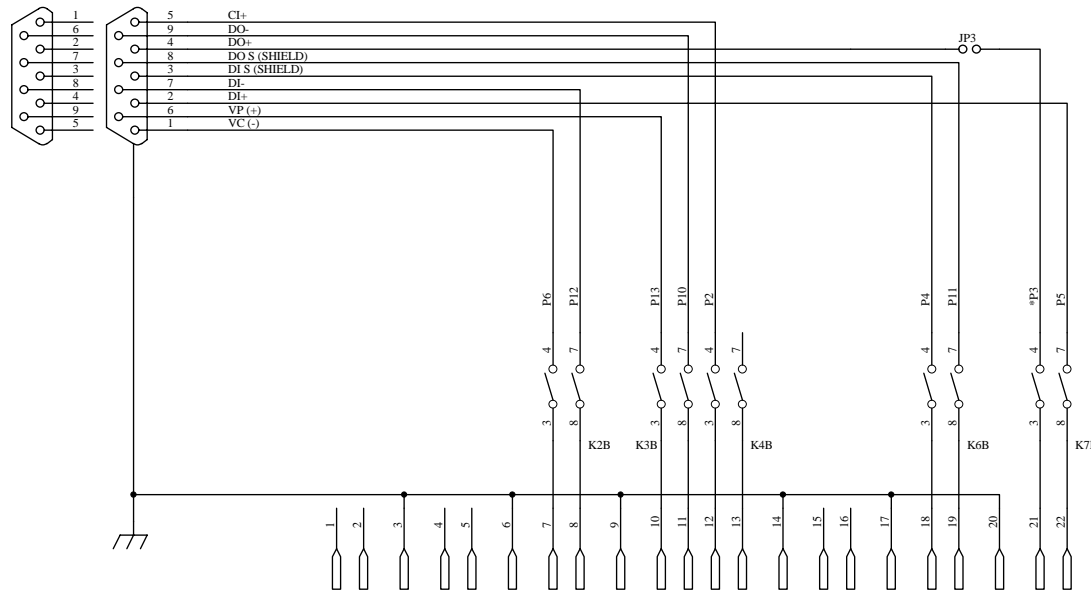
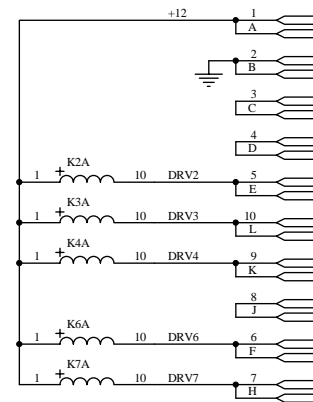


DE9S DE9P **AUI SIGNALS**



SIGNAL MOTHERBORAD

RELAY DRIVE



YTEC CORP.

APPROVED BY	DRAWING NUMBER	DRAWN BY: KJA
DATE: 13-Apr-2010	25-02-50	REVISION:
SIZE: B	TITLE: RS/9 SWITCH MODULE	
25-02-50.SCH		SHEET 1 OF 1