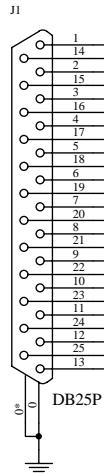
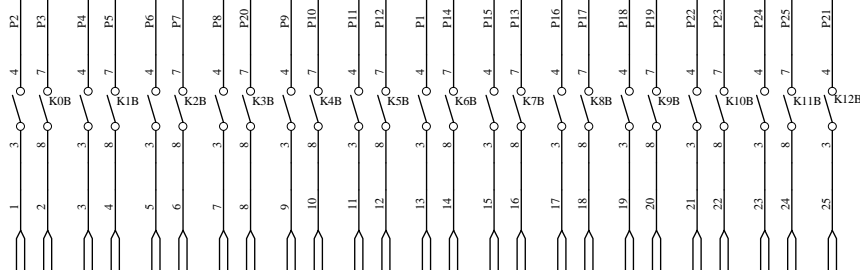


DB25S



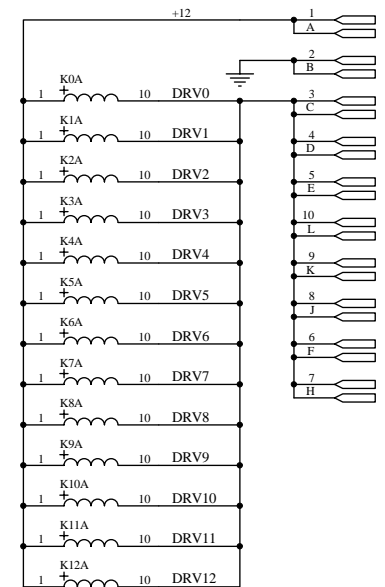
DB25P

PIN #



SIGNAL MOTHERBORAD

RELAY DRIVE



YTEC CORP.

APPROVED BY	DRAWING NUMBER	DRAWN BY: KJA
DATE: 8-Apr-2010	25-01-50	REVISION:
SIZE: B	TITLE: RS/25 SWITCH MODULE	
25-01-50.SCH		SHEET 1 OF 1