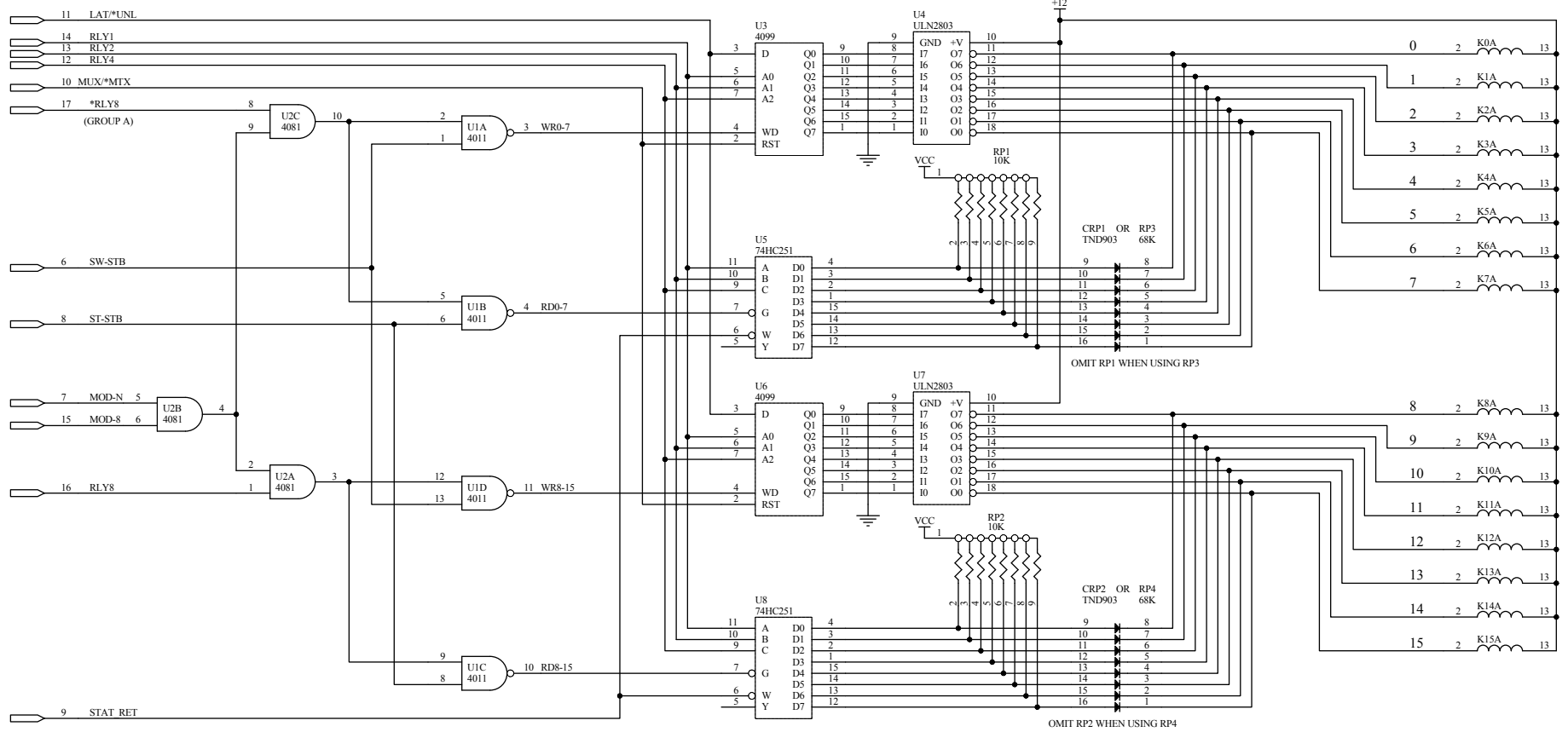


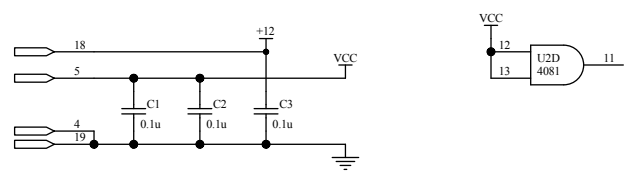
**E1 EDGE CONNECTOR**

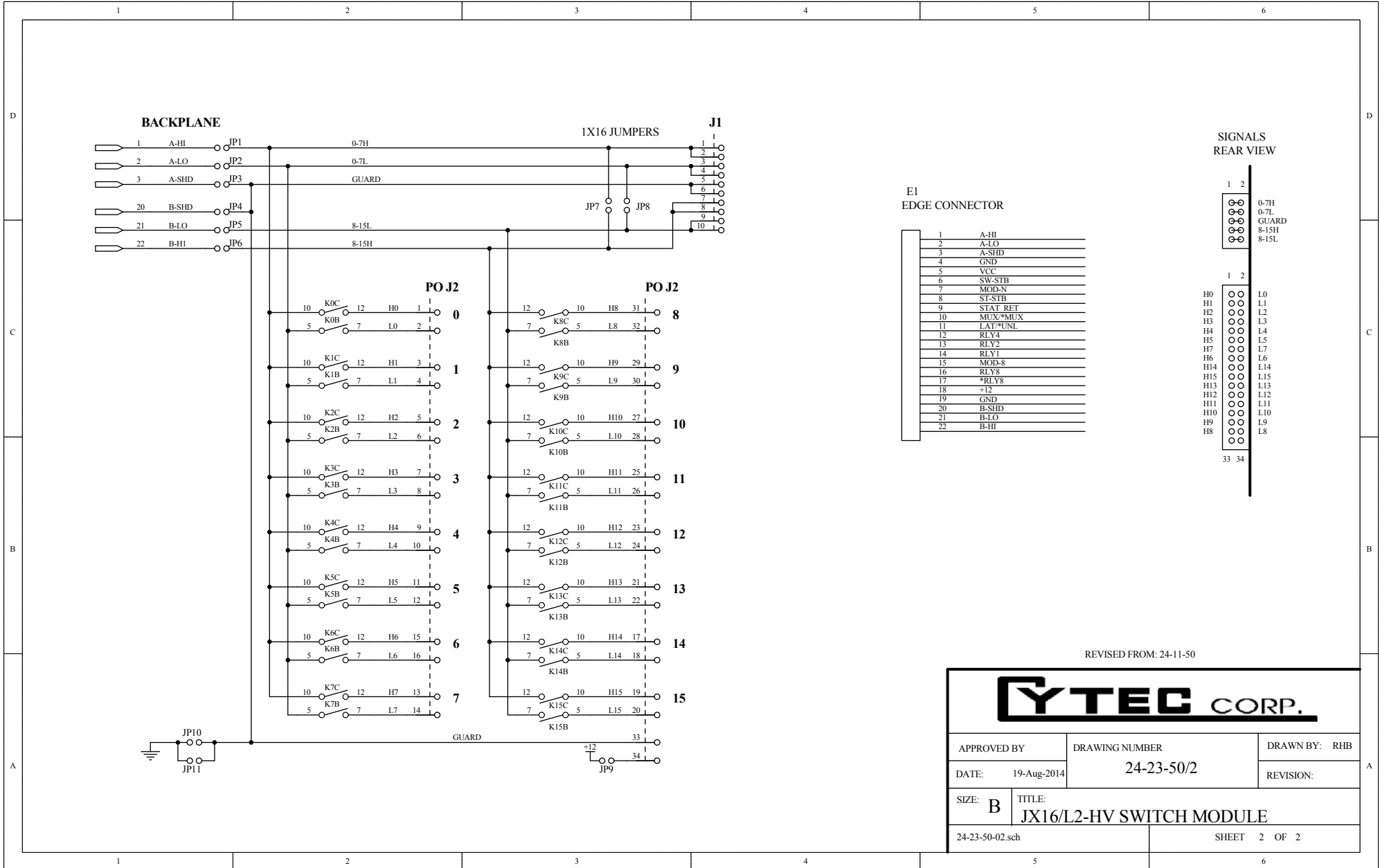


REVISED FROM: 24-11-50



APPROVED BY	DRAWING NUMBER	DRAWN BY: RHB
DATE: 19-Aug-2014	24-23-50/1	REVISION:
SIZE: B	TITLE: JX16/L2-HV SWITCH MODULE	
24-23-50-01.sch	SHEET 1 OF 2	

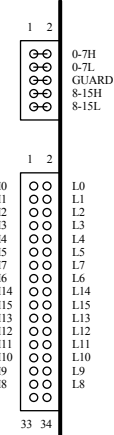




E1  
EDGE CONNECTOR

1	A-HI
2	A-LO
3	A-SHD
4	GND
5	VCC
6	SW-STB
7	MOD-N
8	ST-STB
9	STAT RET
10	MUX*MUX
11	LAT*UNL
12	RLY4
13	RLY2
14	RLY1
15	MOD-S
16	RLYS
17	*RLYS
18	+12
19	GND
20	B-SHD
21	B-LO
22	B-HI

SIGNALS  
REAR VIEW



REVISED FROM: 24-11-50

<b>YTEC CORP.</b>		
APPROVED BY	DRAWING NUMBER	DRAWN BY: RHB
DATE: 19-Aug-2014	24-23-50/2	REVISION:
SIZE: B	TITLE: JX16/L2-HV SWITCH MODULE	
24-23-50-02.sch	SHEET 2 OF 2	