

1 2 3 4 5 6

A

B

C

D

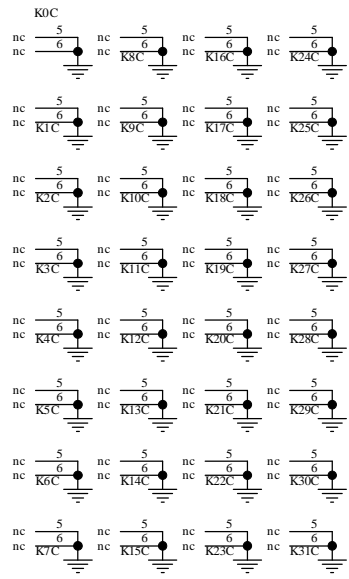
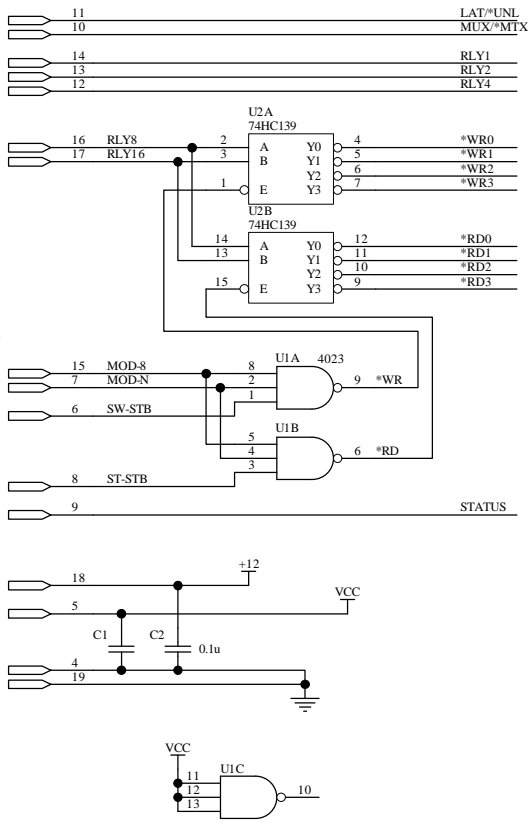
A

B

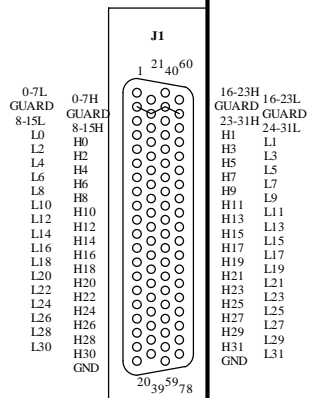
C

D

**BACKPLANE  
CONTROL  
CONNECTIONS**



**SIGNALS  
REAR VIEW**



REVISED FROM: (similar to 4-010-2)

<b>YTEC CORP.</b>		
APPROVED BY	DRAWING NUMBER	DRAWN BY: RHB
DATE: 11/23/2004	24-13-50/1	REVISION:
SIZE: B	TITLE: JX32/L2-4-8X1-2A	
24-13-50-01.SchDoc		SHEET 1 OF 3

1 2 3 4 5 6

LAT/\*UNL

RLY1

RLY2

RLY4

MUX/\*MTX

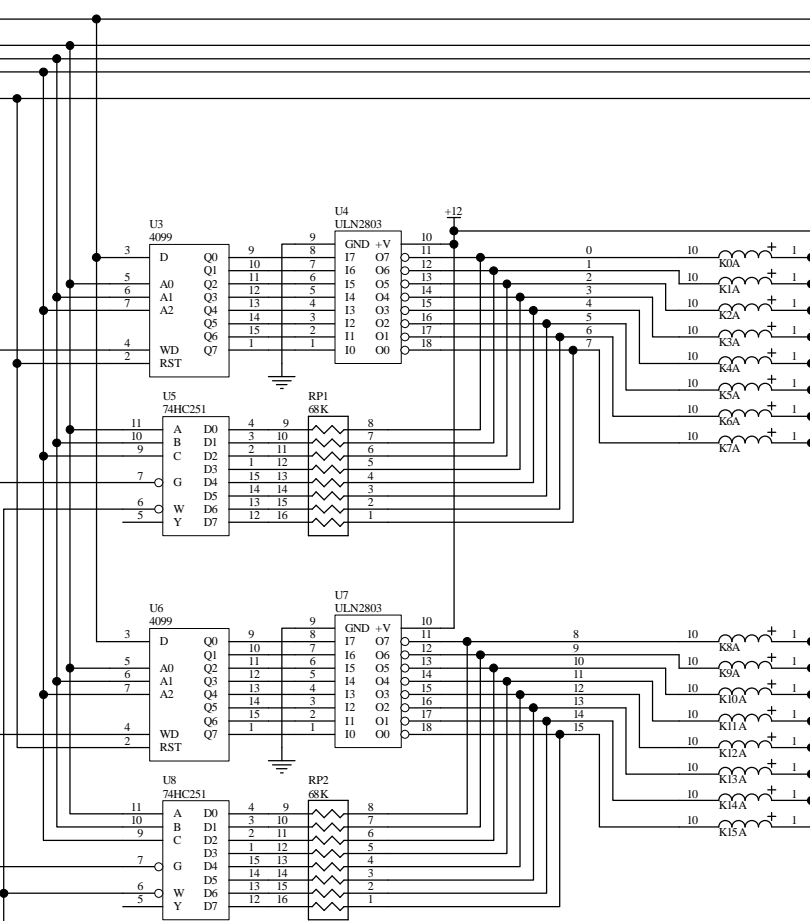
\*WR0

\*RD0

\*WR1

\*RD1

STATUS

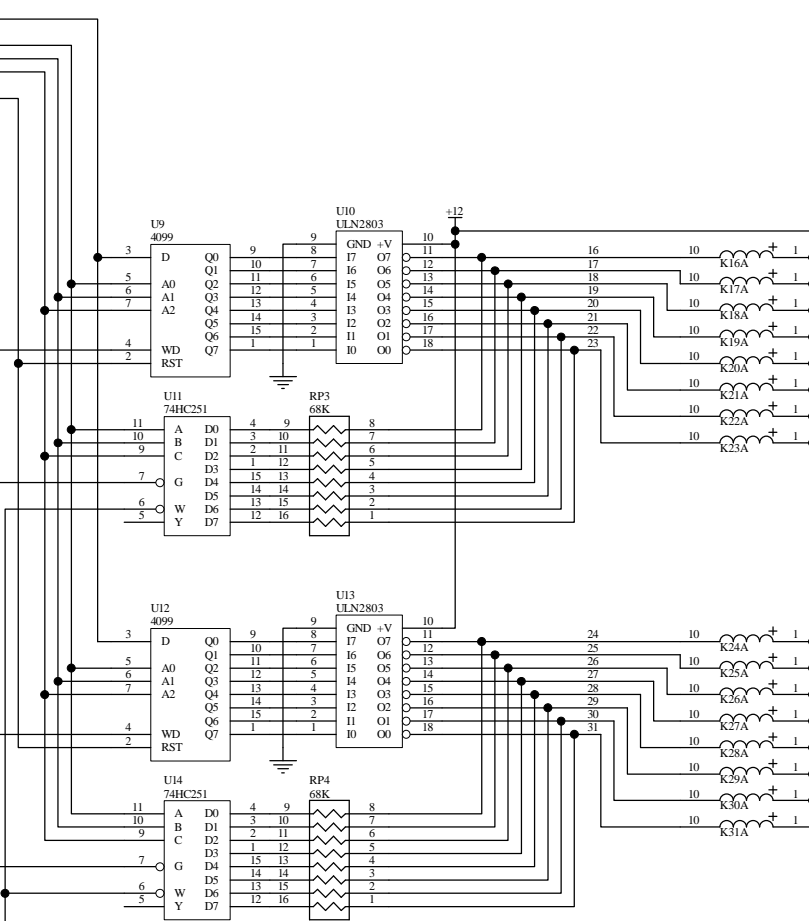


\*WR2

\*RD2

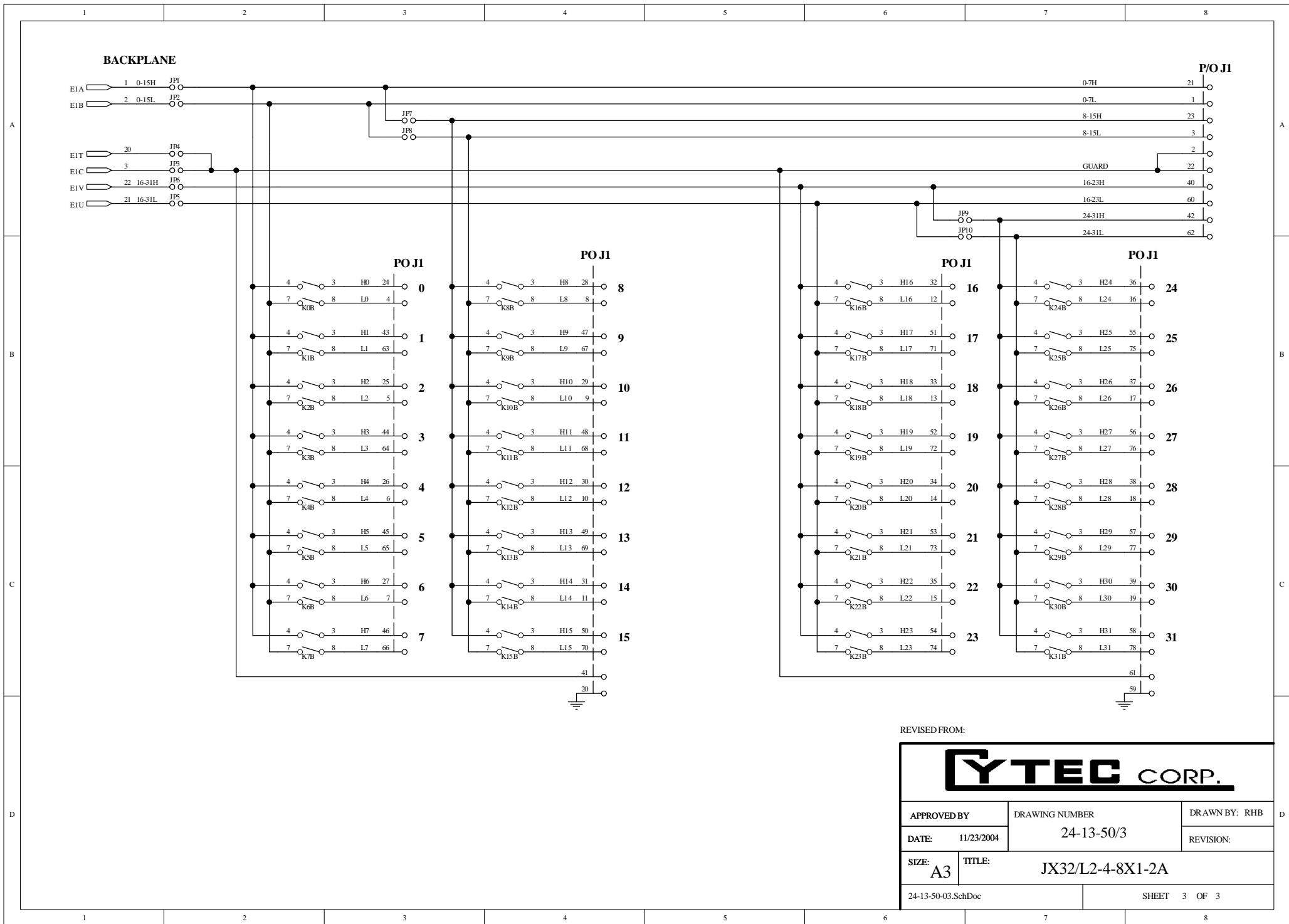
\*WR3

\*RD3



REVISED FROM:

<b>YTEC CORP.</b>		
APPROVED BY	DRAWING NUMBER	DRAWN BY: RHB
DATE: 11/23/2004	24-13-50/2	REVISION:
SIZE: A3	TITLE: JX32/L2-4-8X1-2A	
24-13-50-02.SchDoc		SHEET 2 OF 3



REVISED FROM:

<b>YTEC CORP.</b>		
APPROVED BY	DRAWING NUMBER	DRAWN BY: RHB
DATE: 11/23/2004	24-13-50/3	REVISION:
SIZE: A3	TITLE: JX32/L2-4-8X1-2A	
24-13-50-03.SchDoc		SHEET 3 OF 3