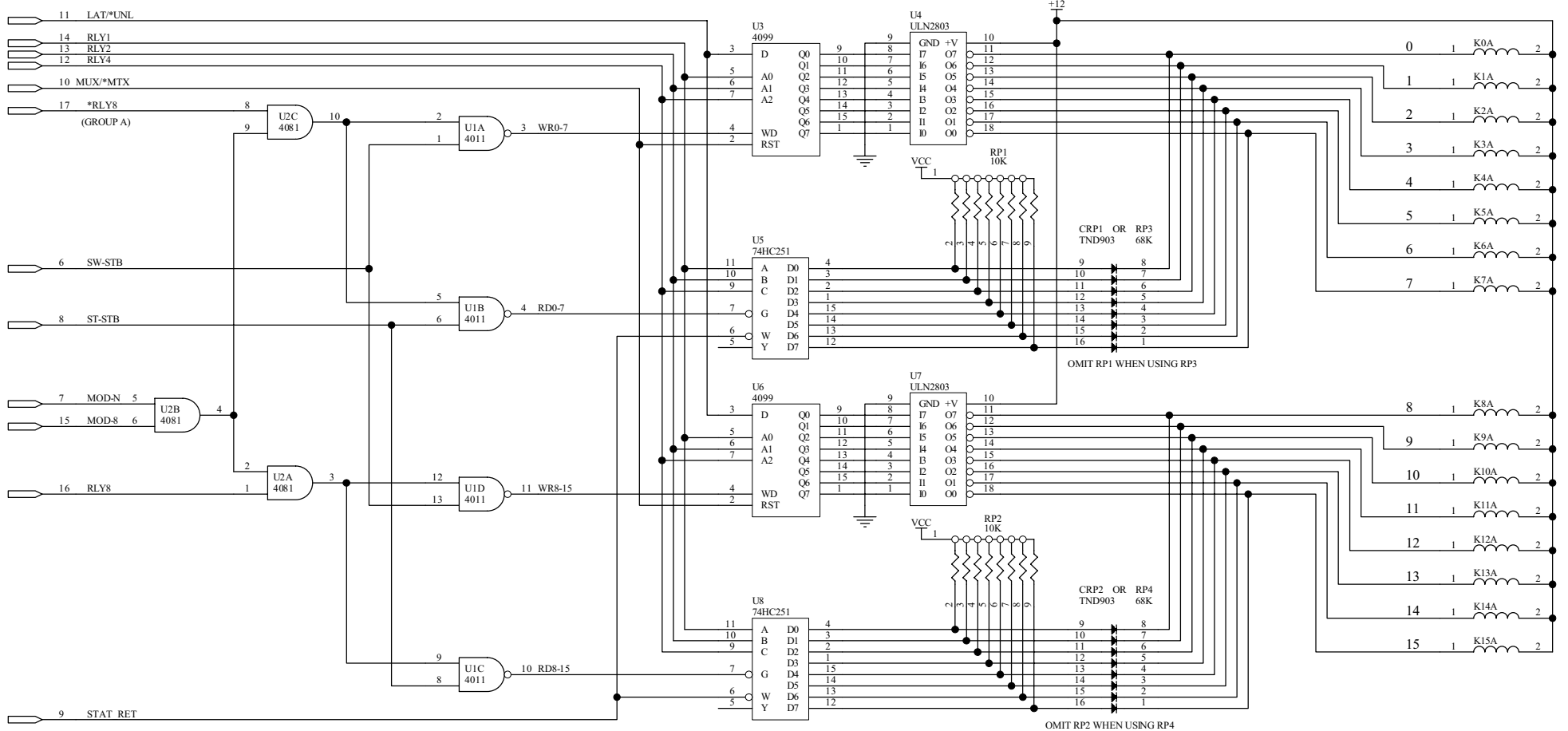


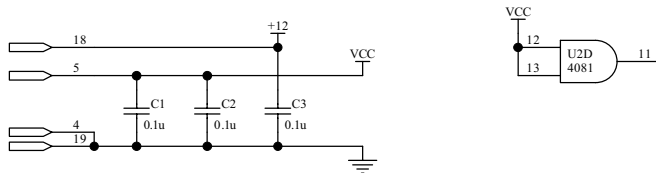
E1 EDGE CONNECTOR

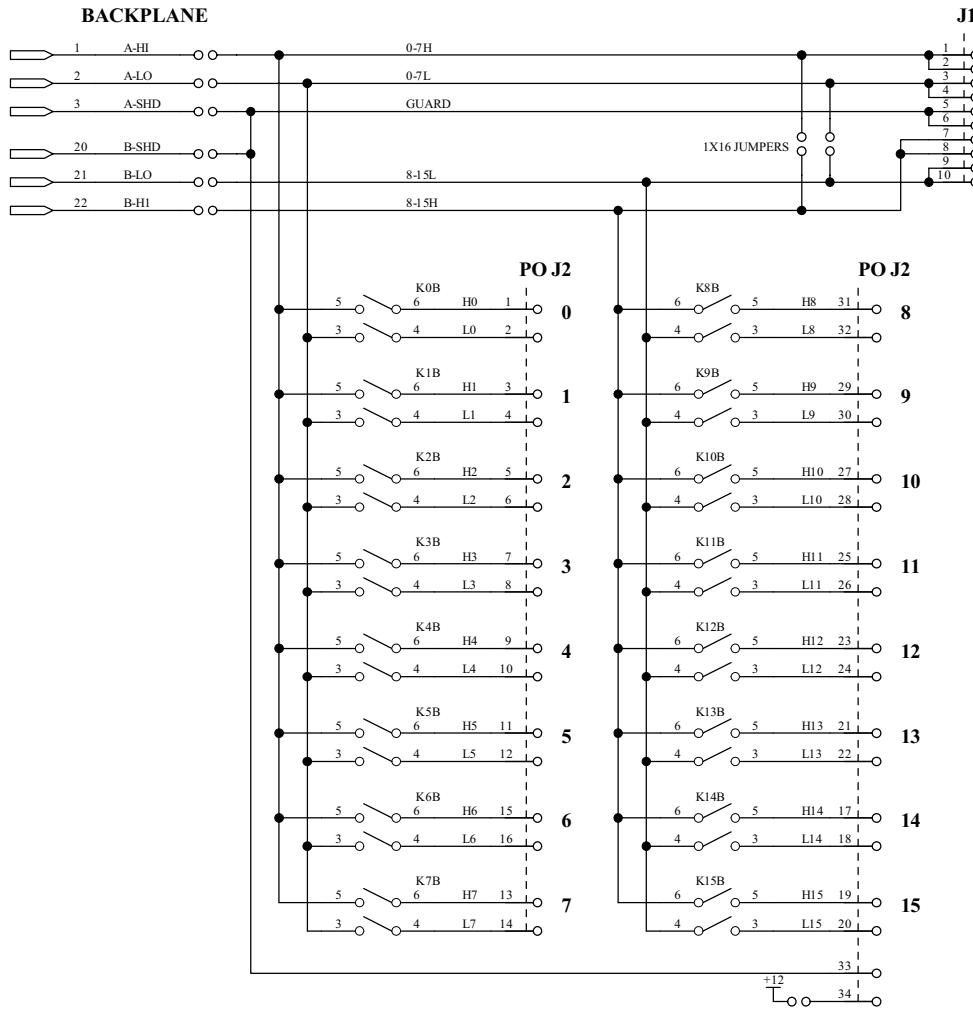


SIMILAR TO: 4-010-2



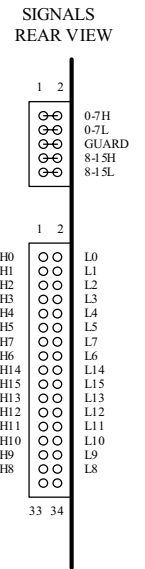
APPROVED BY	DRAWING NUMBER	DRAWN BY: RHB
DATE: 5/21/2004	24-11-50/1	REVISION:
SIZE: B	TITLE: JX16/L2 SWITCH MODULE	
24-11-50-01.schdoc		SHEET 1 OF 2





E1
EDGE CONNECTOR

1	A-HI
2	A-LO
3	A-SHD
4	GND
5	VCC
6	SW-STB
7	MODN
8	ST-STB
9	STAT RET
10	MUX*MUX
11	LAT*UNL
12	RLY4
13	RLY2
14	RLY1
15	MOD8
16	RLY8
17	*RLY8
18	+12
19	GND
20	B-SHD
21	B-LO
22	B-HI



SIMILAR TO: 4-010-2



APPROVED BY	DRAWING NUMBER	DRAWN BY: RHB
DATE: 5/21/2004	24-11-50/2	REVISION:
SIZE: B	TITLE: JX16/L2 SWITCH MODULE	
24-11-50-02.schdoc		SHEET 2 OF 2