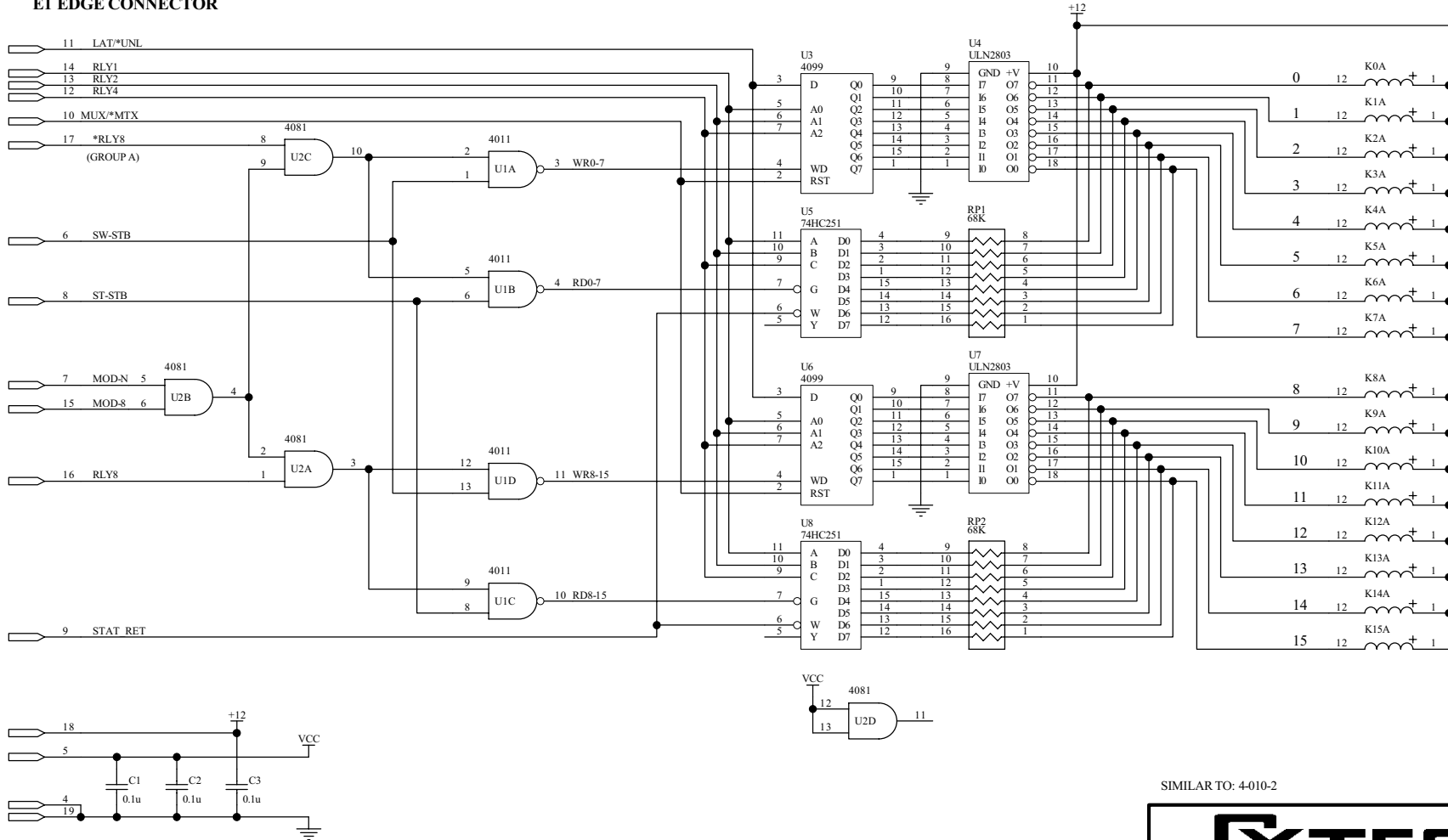


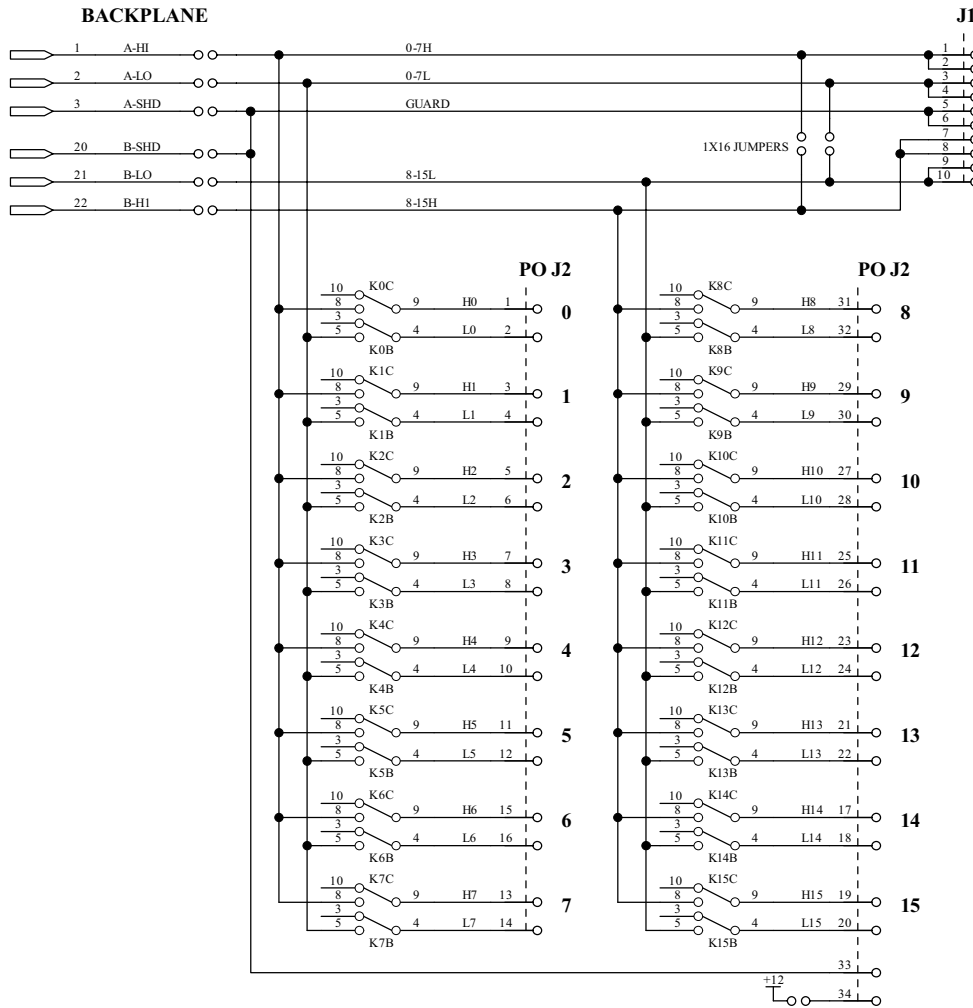
# E1 EDGE CONNECTOR



SIMILAR TO: 4-010-2



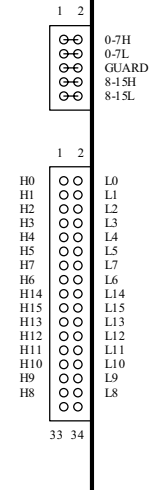
APPROVED BY	DRAWING NUMBER	DRAWN BY: RHB
DATE: 4/30/2004	24-10-50/1	REVISION:
SIZE: B	TITLE: JX16/L2-TX	
24-10-50-01.schdoc		SHEET 1 OF 2



E1  
EDGE CONNECTOR

1	A-HI
2	A-LO
3	A-SHD
4	GND
5	VCC
6	SW-STB
7	MODN
8	ST-STB
9	STAT RET
10	MUX*MUX
11	LAT*UNL
12	RLY4
13	RLY2
14	RLY1
15	MOD-8
16	RLY8
17	*RLY8
18	+12
19	GND
20	B-SHD
21	B-LO
22	B-HI

SIGNALS  
REAR VIEW



SIMILAR TO: 4-010-2



APPROVED BY	DRAWING NUMBER 24-10-50/2	DRAWN BY: RHB
DATE: 4/30/2004		REVISION:
SIZE: B	TITLE: JX16/L2-TX	
24-10-50-02.schdoc		SHEET 2 OF 2