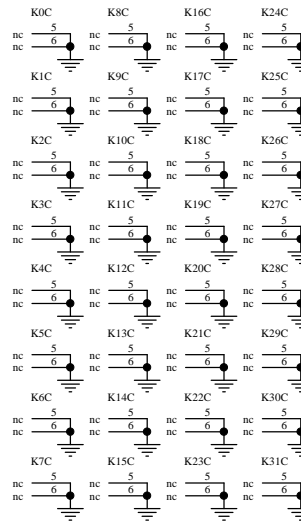
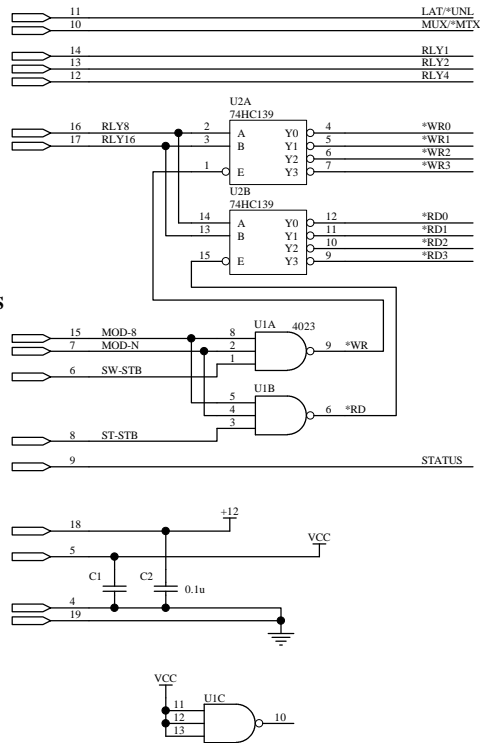
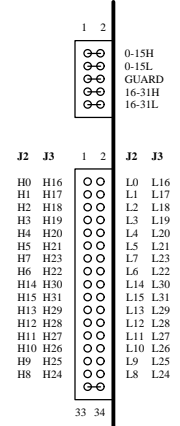


**BACKPLANE  
CONTROL  
CONNECTIONS**



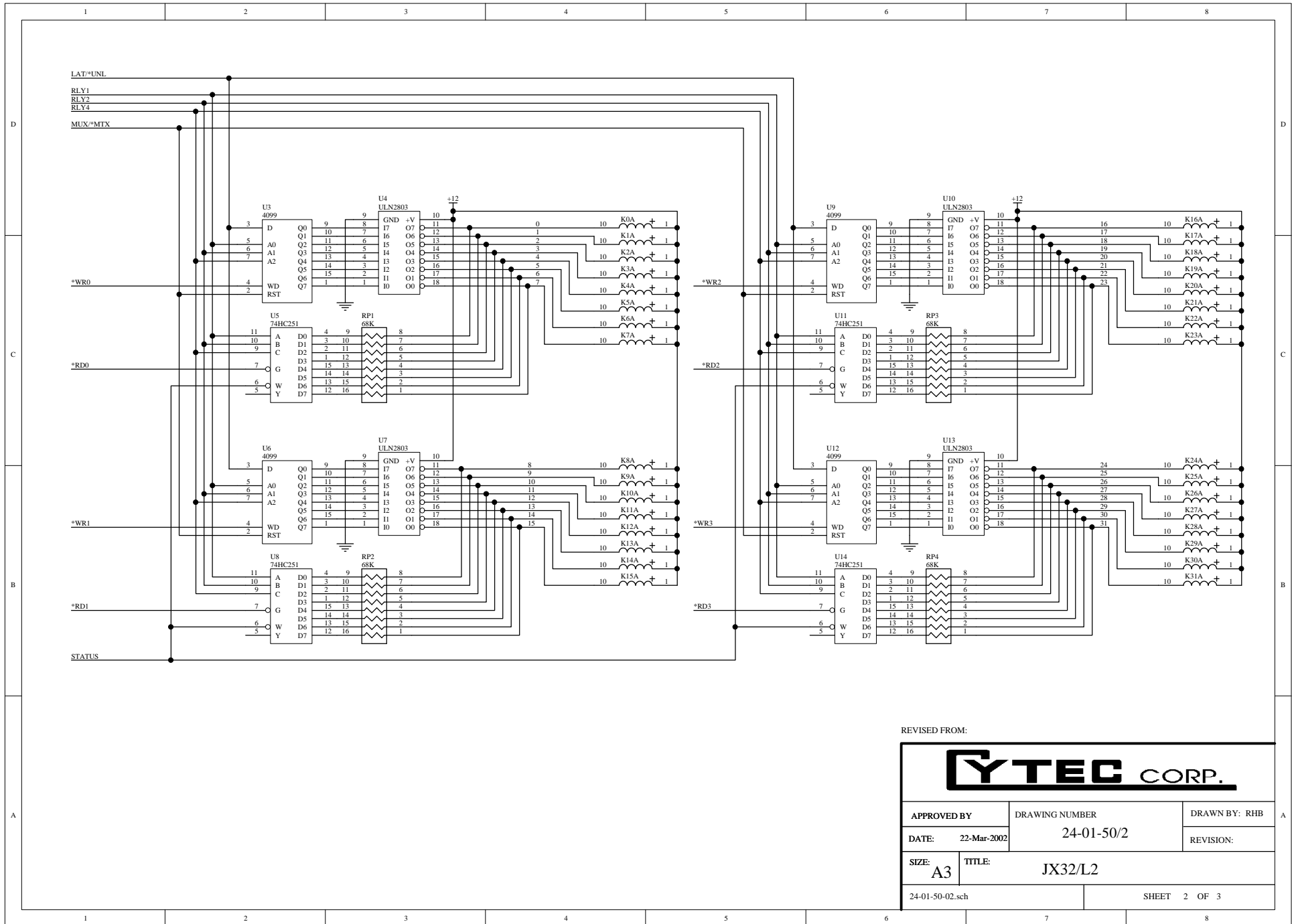
**SIGNALS  
REAR VIEW**



REVISED FROM: (similar to 4-010-2)



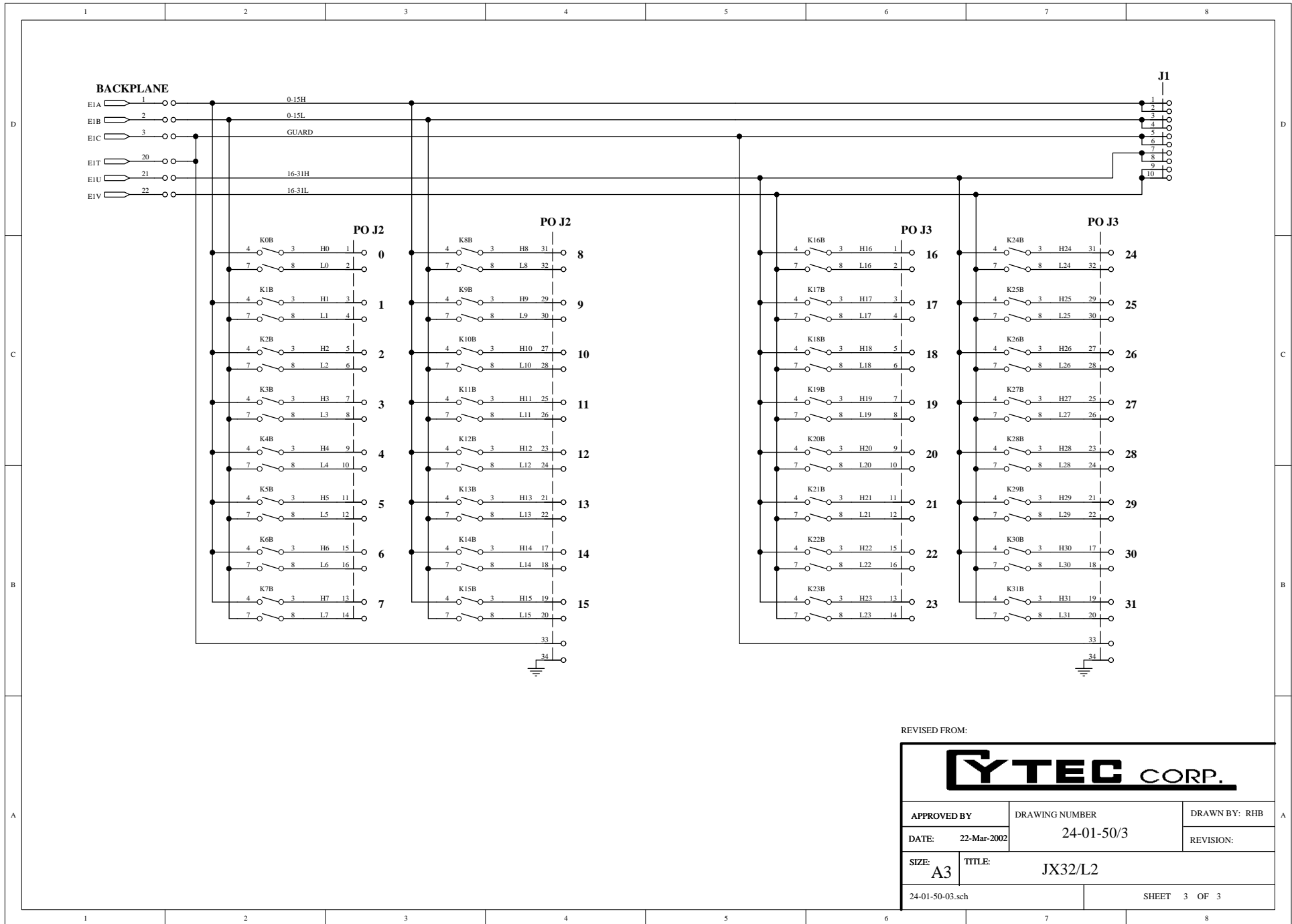
APPROVED BY	DRAWING NUMBER 24-01-50/1	DRAWN BY: RHB
DATE: 22-Mar-2002		REVISION:
SIZE: B	TITLE: JX32/L2	
24-01-50-01.sch		SHEET 1 OF 3



REVISED FROM:



APPROVED BY	DRAWING NUMBER	DRAWN BY: RHB
DATE: 22-Mar-2002	24-01-50/2	REVISION:
SIZE: A3	TITLE: JX32/L2	
24-01-50-02.sch		SHEET 2 OF 3



REVISED FROM:



APPROVED BY	DRAWING NUMBER	DRAWN BY: RHB
DATE: 22-Mar-2002	24-01-50/3	REVISION:
SIZE: A3	TITLE: JX32/L2	
24-01-50-03.sch		SHEET 3 OF 3