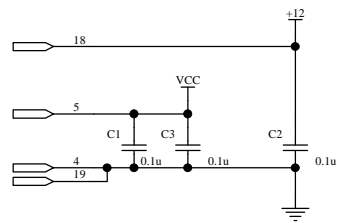
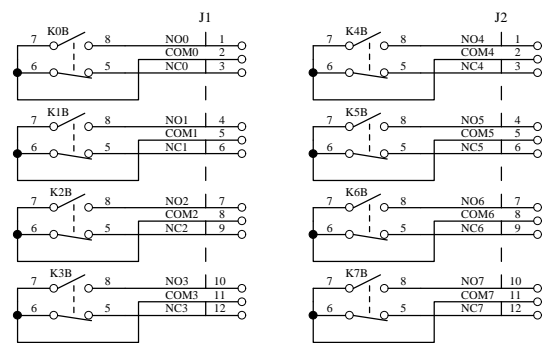
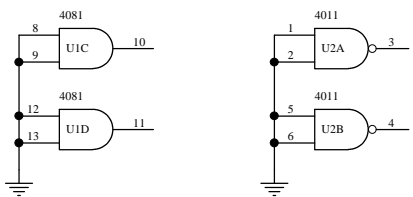
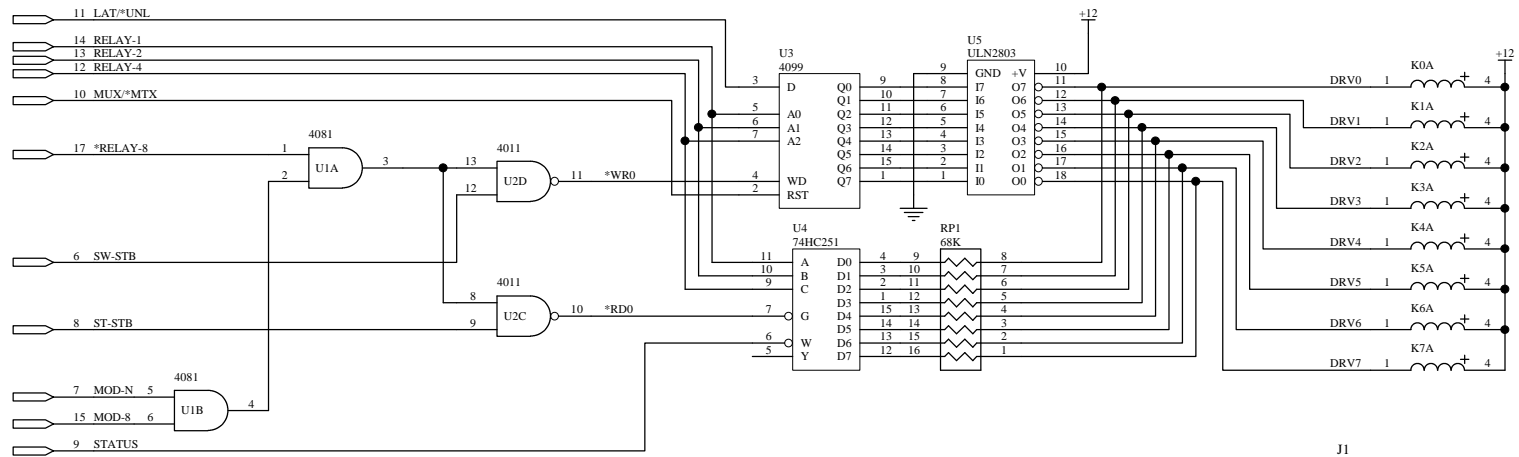


BACKPLANE



REVISED FROM:



APPROVED BY	DRAWING NUMBER	DRAWN BY: RHB
DATE: 3-May-2001	24-00-50	REVISION:
SIZE: B	TITLE: JX8/KPC-ST	
F:\ENG\BDrawings\24-00-50.ddb - Documents\24-00-50.sch SHEET 1 OF 1		