

**SCREW
TERMINALS**

P1



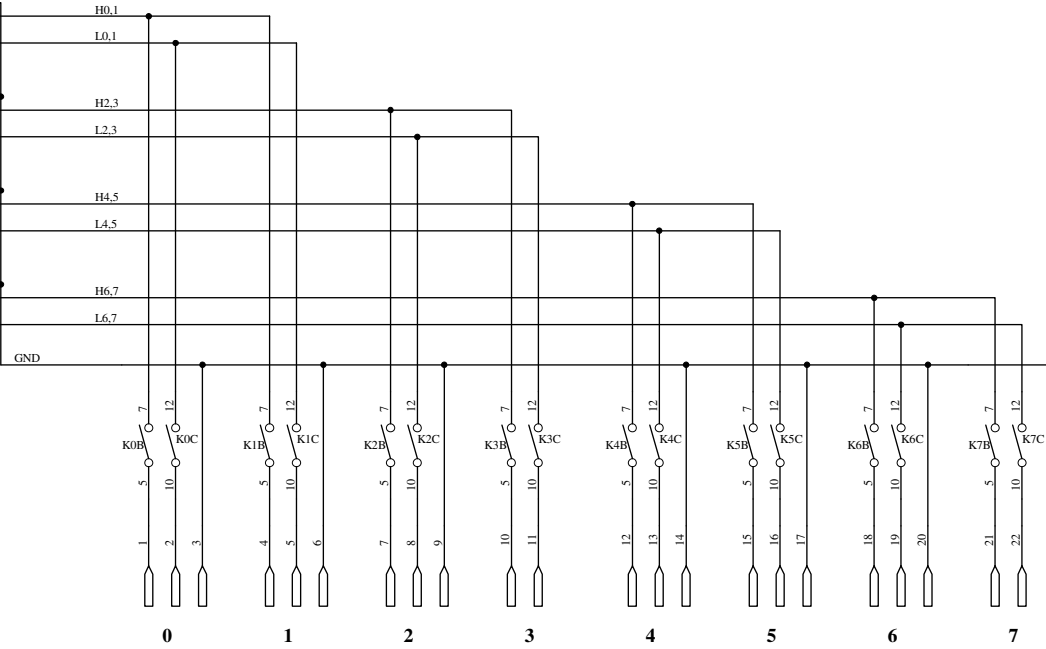
P2



P3

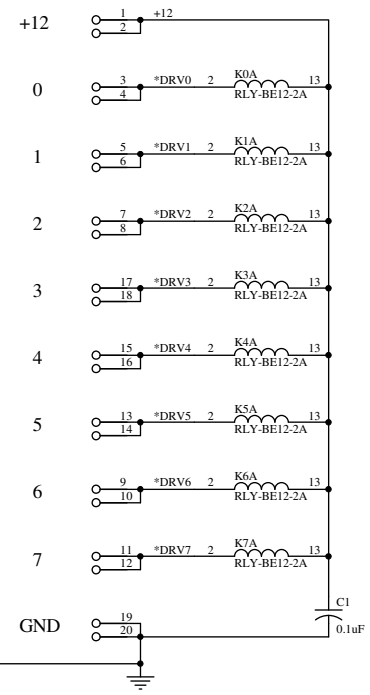


P4



SIGNAL MOTHERBOARD

RELAY DRIVES



REVISED FROM: 22-09-60



APPROVED BY		DRAWING NUMBER		DRAWN BY: KJA	
DATE: 22-Sep-2020		22-28-50		REVISION: -	
SIZE: B	TITLE: LXB/4(1x2)-2HV-ST3 Switch Mod				
22-28-50.SCH				SHEET 1 OF 1	