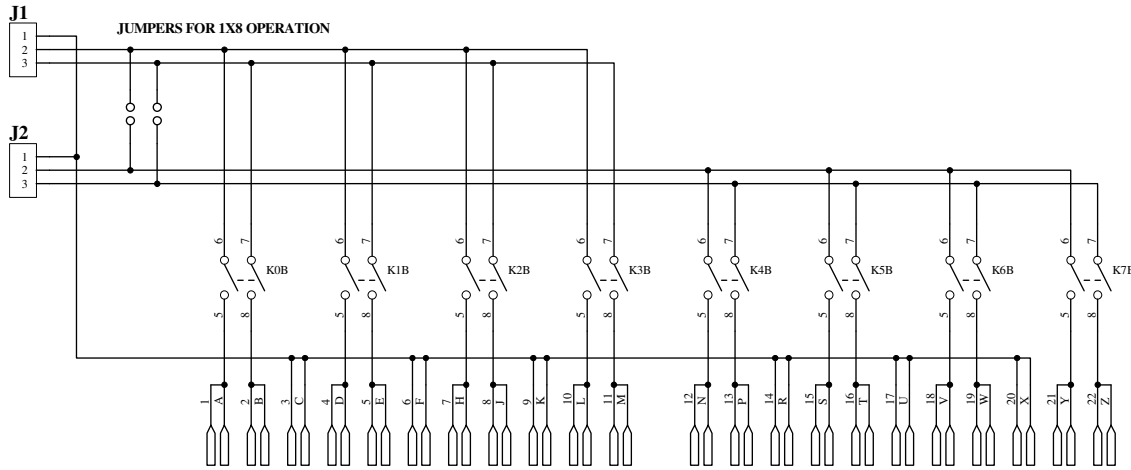
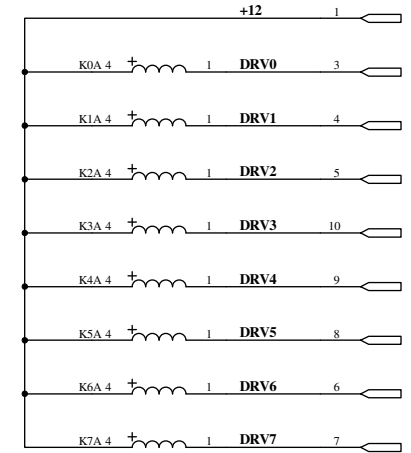


0.2" HEADER CONNECTORS



SIGNAL MOTHERBOARD

CL8 DRIVE



YTEC CORP.

APPROVED BY	DRAWING NUMBER	DRAWN BY: KJA
DATE: 27-May-2016	22-25-50	REVISION:
SIZE: B	TITLE: LX8/POWER SWITCH MODULE - 2 POLE	
22-25-50.SCH	SHEET 1 OF 1	