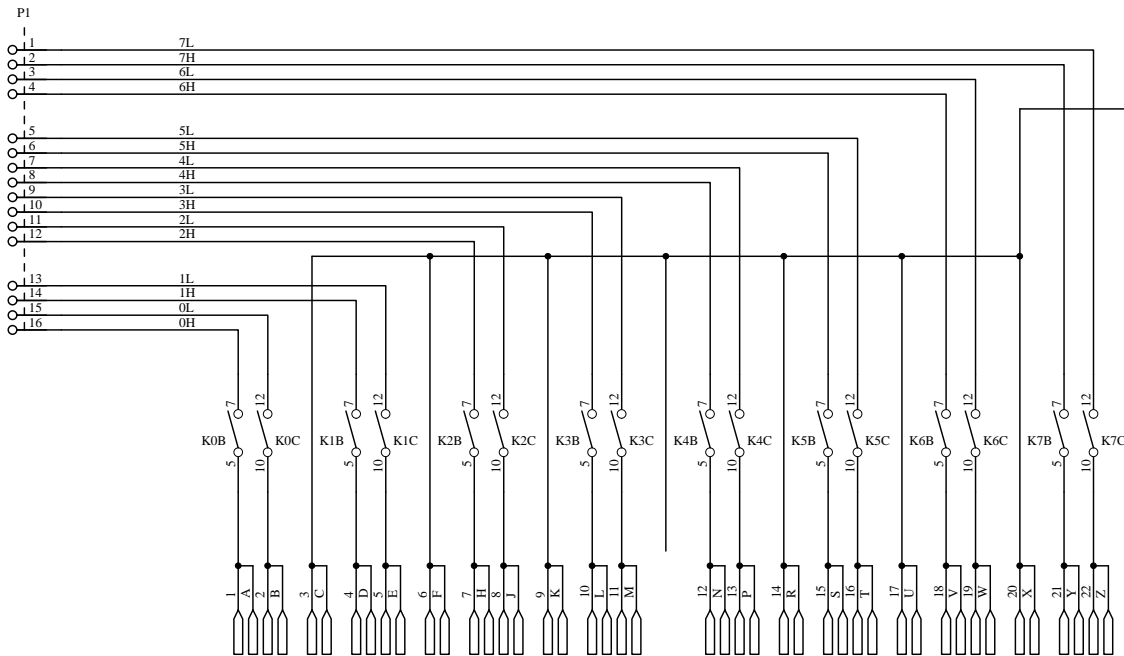
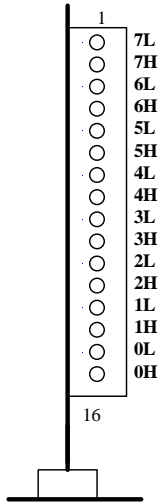
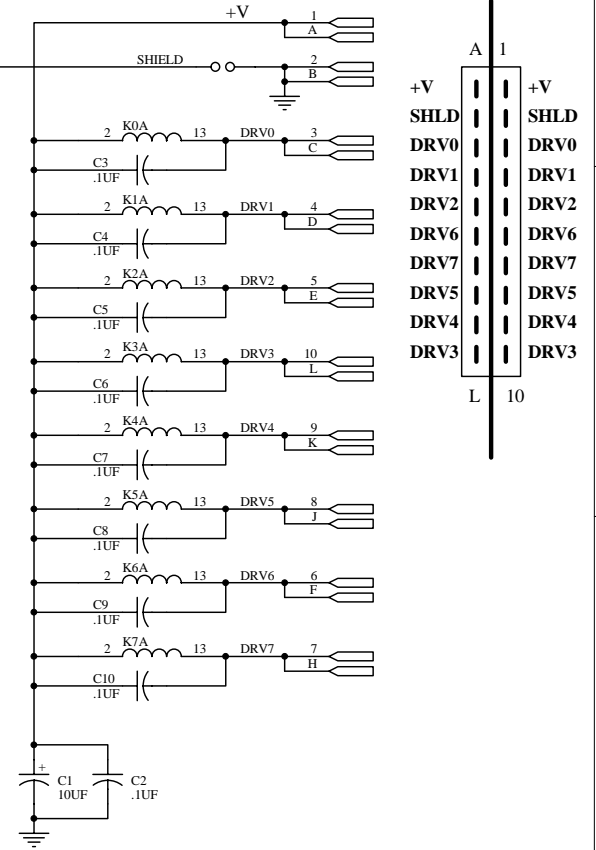


16 PIN HEADER
REAR VIEW



SIGNAL MOTHERBOARD

RELAY DRIVE



0.156" CARD EDGE



APPROVED BY	DRAWING NUMBER	DRAWN BY: RHB
DATE: 4/18/2006	22-15-50	REVISION:
SIZE: B	TITLE: LX8/G2-HV-ST	
22-15-50.schdoc		SHEET 1 OF 1