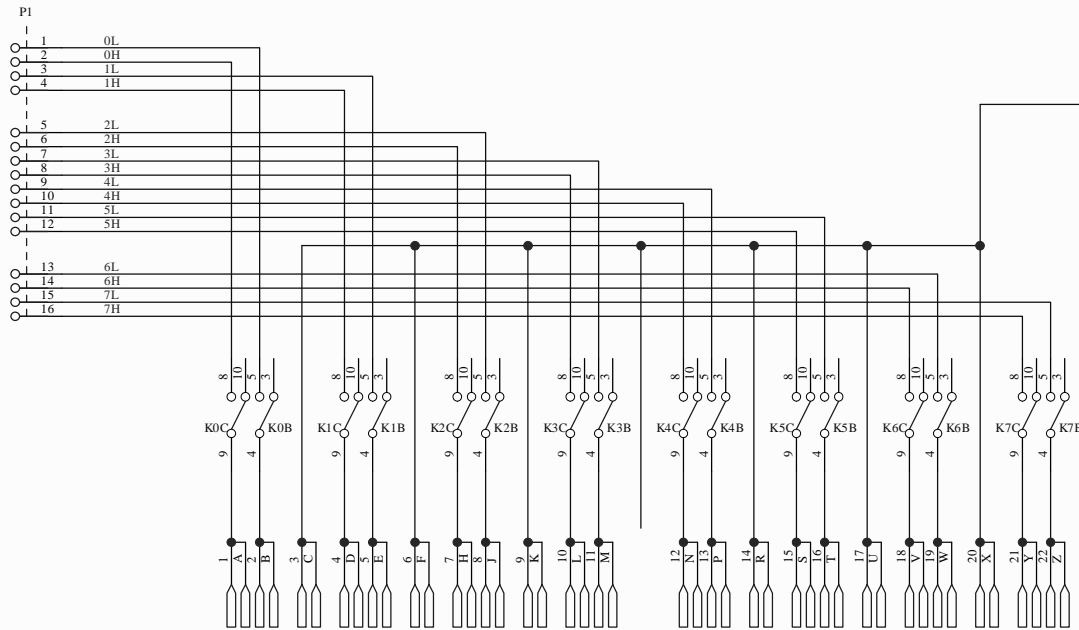
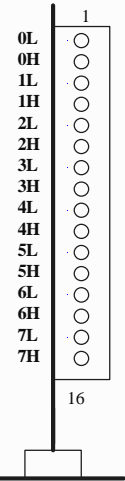


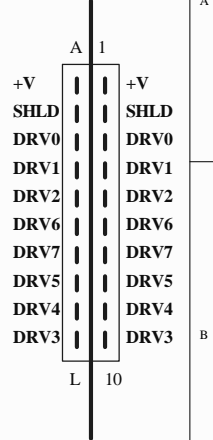
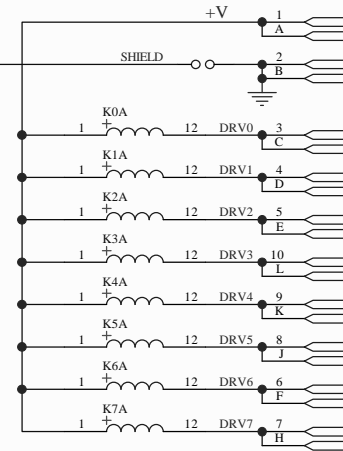
16 PIN HEADER  
REAR VIEW



SIGNAL MOTHERBOARD

0.156" CARD EDGE

RELAY DRIVE



**YTEC CORP.**

APPROVED BY	DRAWING NUMBER	DRAWN BY: RHB
DATE: 11/15/2004	22-10-50	REVISION:
SIZE: B	TITLE: LX8/G2-ST	
22-10-50.schdoc		SHEET 1 OF 1