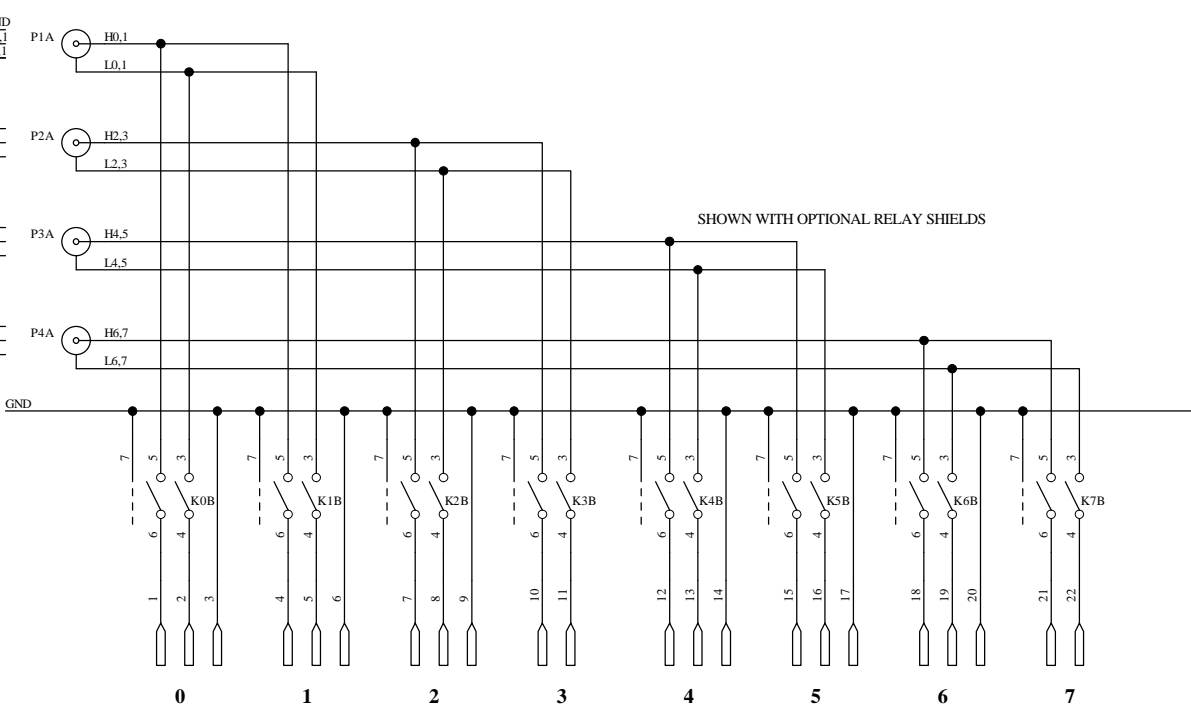
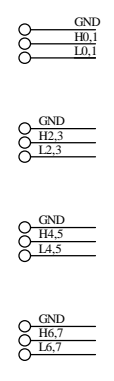
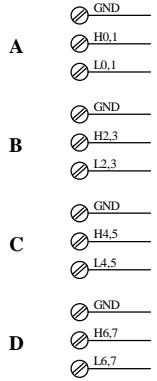


**-ST**  
SCREW  
TERMINALS

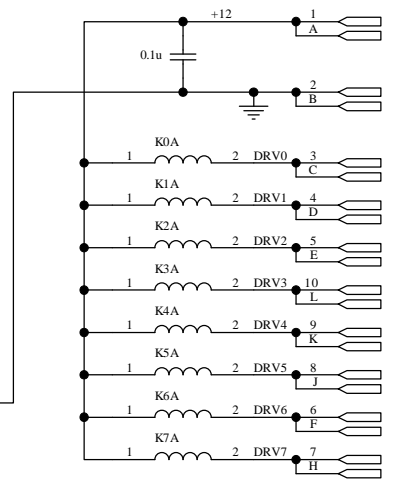
**-H**  
3 PIN  
HEADER

**-N**  
BNC'S



**SIGNAL MOTHERBOARD**

**CL8 DRIVE CONNECTION**



REVISED FROM: 2-109-2



APPROVED BY	DRAWING NUMBER 22-09-50	DRAWN BY: RHB
DATE: 4/12/2004		REVISION:
SIZE: B	TITLE: LXB/4(1X2) SWITCH MODULE	
22-09-50.schdoc		SHEET 1 OF 1